

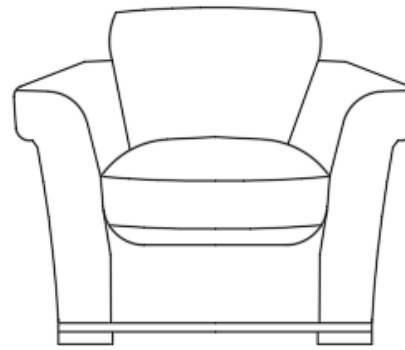
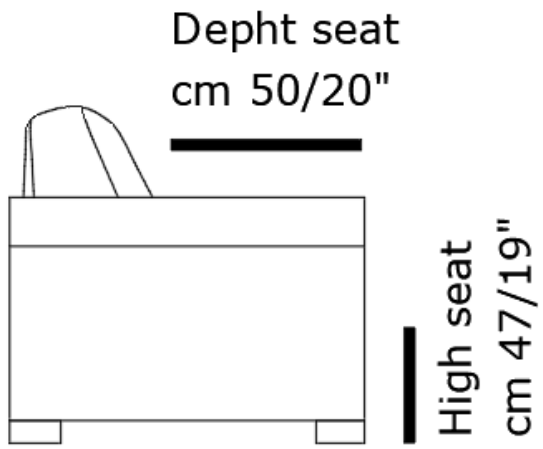
Technical Sheet for Retailers



MODEL VITTORIO



High chair
cm 79/31"



Chair
cm 93/37" **V010**

INTERIORS

	Seat	Arms	Back
FOAM	<input type="checkbox"/>	<input type="checkbox"/>	
FIBERFILL			
PLUME D'OIE	<input type="checkbox"/>		<input type="checkbox"/>

FRAME

% Particle Board: 30%	% Multilayer: 25%	% Fir: 20%	% Masonite: 25%
------------------------------	--------------------------	-------------------	------------------------

SUSPENSION SYSTEM

	Webbings	Masonite	Notes
Seat	<input type="checkbox"/>		
Back		<input type="checkbox"/>	

OTHER ELEMENTS

Element	Fixed	Removable	Removable system	Notes
Seating cushions:		<input type="checkbox"/>		
Back cushions:		<input type="checkbox"/>		
Arms:	<input type="checkbox"/>			

FEET

Metal	Wooden	PVC
	<input type="checkbox"/>	